



SAFEKEY

A Simple Deterrent to Impaired Driving.

TechSheet: 167-01
Rev.: 1.00
Date: 5/26/2010
Model: AM89
Brand: SafeKey

SafeKey AM89 Installation Guidelines

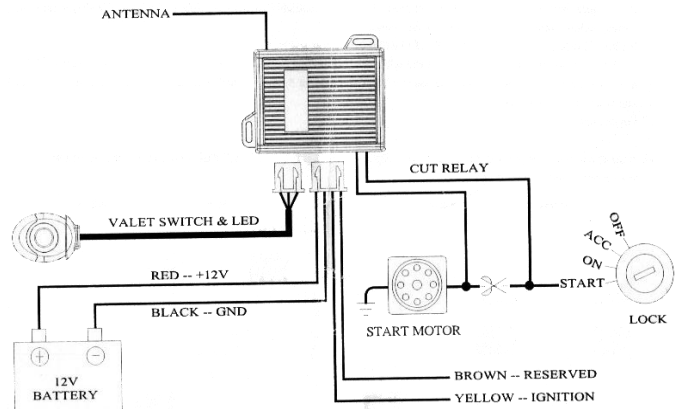
1) Mounting the Main Unit

The brain needs to be securely mounted in a location that will not interfere with any vehicle functions. Possible mounting locations are; under the driver's side dashboard, in the driver's side kick panel or underneath the center console. The mounting location ultimately will depend on the location of the vehicles factory wiring.



2) Wiring

- **Black:** Ground (Connect to a known good ground source)
 - **Red:** 12v Constant (Connect this wire to a circuit that has power at all times)
 - **Yellow (small wire gauge):** 12v Ignition (Connect this wire to a circuit that has power only with the ignition turned on THIS MUST BE TRUE IGNITION NOT ACCESSORY)
 - **Brown:** NOT USED
 - **Yellow (heavy gauge):** Starter Motor Side*
 - **Yellow (heavy gauge):** Starter Key Side Side*
- * These wire are identical. The one closest to the 4-pin harness goes to the motor side of the starter and the one furthest from the 4-pin harness goes to the key side of the starter.



3) Mounting the valet Switch

The valet switch is used to temporarily bypass the system and also as a visual indication of what is going on. It should be mounted in a location the makes it both visible and functional. You should check with the vehicle owner before mounting the valet switch. Once a location is chosen mount the valet switch using the included double sided tape.

4) Testing the Installation

With the unit installed try and start the vehicle. It should not start. Now press the check button on the remote. This will start the LED illumination sequence. Follow the sequence. Successful completion of this will allow you to start the vehicle. You must start the vehicle within 10 seconds or you will have to repeat the check process.



5) In Case of Difficulty

Contact InstallerNet at (800) 790-6243